

ADEMCO**LYNXR/LYNXR24**

Quick Start Guide

UL**LYNXR is not intended for UL985 Household Fire applications.**

Introduction

This Quick Start Guide can help you install the rechargeable LYNXR and LYNXR24 quickly and easily by providing the basic steps for installation using the built-in defaults. For more detailed information and important notes, refer to the LYNXR/LYNXR24 Installation Instructions.

The following steps assume that one of the system's default tables will be used.

For programming data values and Powerline Carrier Devices other than those listed in the default tables, see the Installation Instructions.

Default Table Summary

Zone	Table 1	Table 2	Table 3	Table 4
1	-----	-----	-----	-----
2	front door	front door	front door	front door
3	back door	back door	back door	back door
4	window	Garage door	window	window
5	motion detector	motion detector	window	window
6	-----	smoke detector	window	window
7	-----	-----	window	window
8	-----	-----	motion detector	motion detector
9	-----	-----	smoke detector	smoke detector
26	loop 3 arm away	loop 3 arm away	loop 3 arm away	loop 3 arm away
27	loop 2 disarm	loop 2 disarm	loop 2 disarm	loop 2 disarm
28	loop 4 arm stay	loop 4 arm stay	loop 4 close device	loop 4 close device
29	loop 1 restore device 1	loop 1 restore device 1	loop 1 restore device 1	loop 1 restore device 1
30	loop 3 arm away	loop 3 arm away	loop 3 arm away	loop 3 arm away
31	loop 2 disarm	loop 2 disarm	loop 2 disarm	loop 2 disarm
32	loop 4 arm stay	loop 4 arm stay	loop 4 close device	loop 4 close device
33	loop 1 restore device 1	loop 1 restore device 1	loop 1 restore device 1	loop 1 restore device 1
92	duress	duress	duress	duress
99	silent alarm	silent alarm	silent alarm	silent alarm
User Code	1-2-3-4	1-2-3-4	1-2-3-4	1-2-3-4
Install Code	4-1-1-2	4-1-1-2	4-1-1-2	4-1-1-2

Entering Program Mode: installer code + 8 0 0

Interactive Mode

Used to Program

*56 Enhanced Zone Programming	Zone characteristics, report codes, and serial numbers
*83 Sequential Mode	5800 Series transmitter serial numbers
*84 Assign Zone Voice Descriptors	Voice descriptors for each zone

Exiting Program Mode: *99 allows re-entry into the Program mode using Installer Code + 8 0 0.

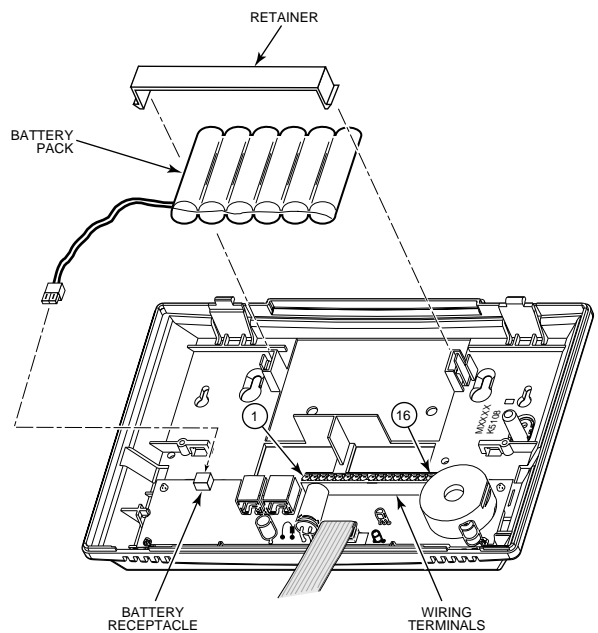
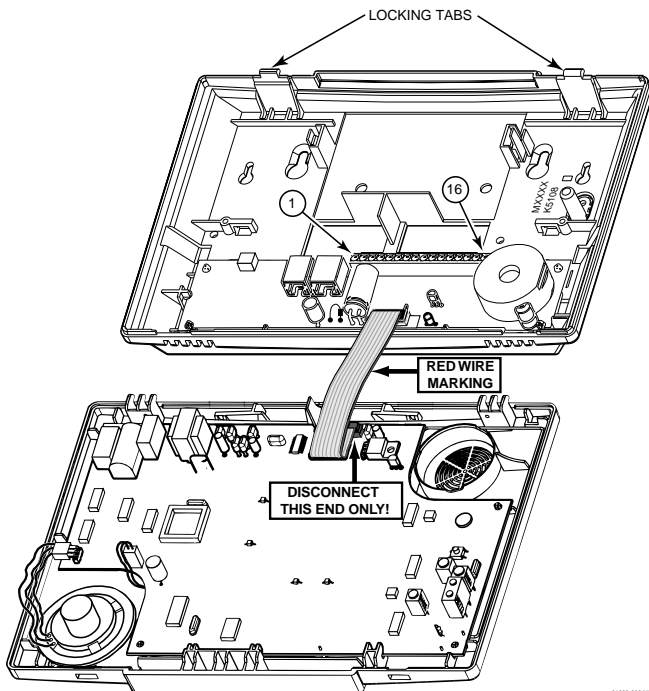
*98 inhibits re-entry into the Programming mode using the Installer Code.

- NOTES:**
- Tables 2 and 4 support the automatic paging feature (open/close events reported to pager phone number), and a Powerline Carrier Device programmed as device 8, which closes and stays closed upon burglary alarms and restores after bell timeout. For other applications or actions (e.g., using a pulsing siren), see the *80 Device Programming Menu Mode section of the Installation Instructions.
 - Primary report format for all tables is Ademco's Contact ID reporting. Tables 2 and 4 also use Contact ID for secondary reporting. Tables 1, and 3 use 4+1 format for secondary reporting.
 - Table 2 records all events in the event log. Tables 1, 3, and 4 record only alarms, alarm restores, troubles, and trouble restores in their event logs.

Installing LYNXR/LYNXR24

Installation and Electrical Connections

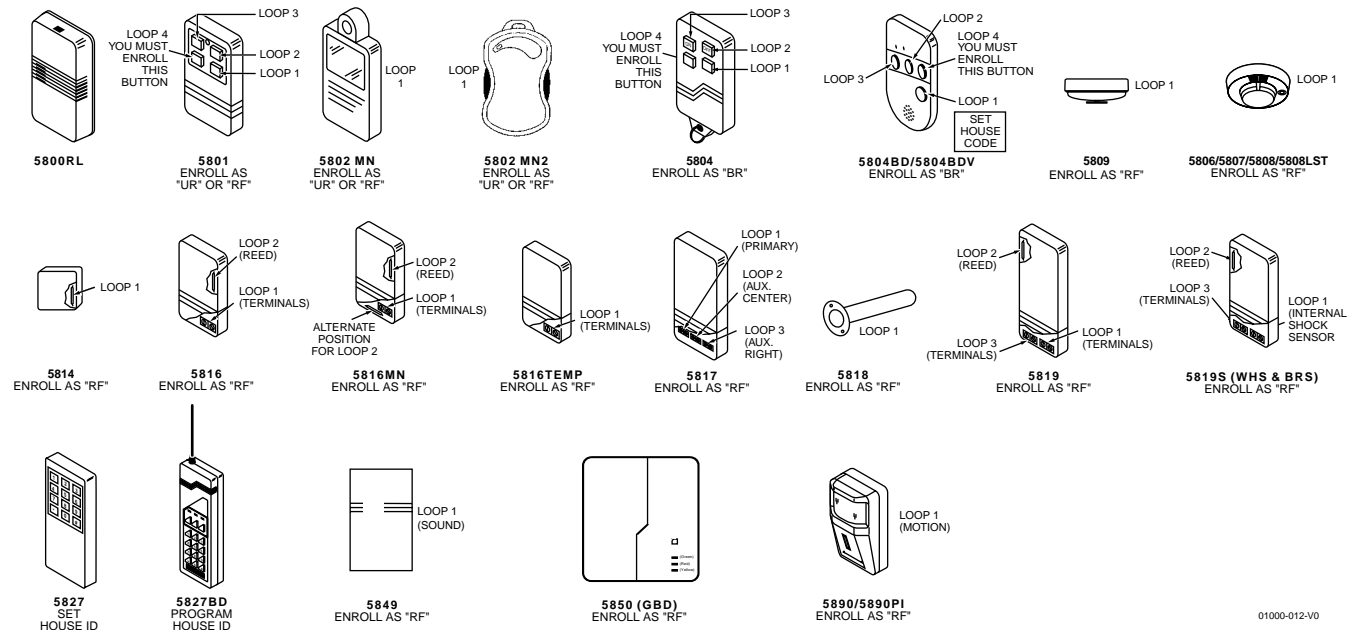
Step	Action
1.	Install the LYNXR/LYNXR24 as follows: <ol style="list-style-type: none"> <li data-bbox="201 348 1455 401">Separate the front assembly from the back plate and disconnect the cable from the front assembly board. Note: Disconnect the cable only from the front assembly board, not from the terminal block PC board. <li data-bbox="201 411 1455 443">Mount the back plate.
2.	Make wiring connections as follows: <ol style="list-style-type: none"> <li data-bbox="201 495 1455 527">Connect the incoming phone line to either the 8-position jack or terminals 2 (TIP) and 3 (RING). <li data-bbox="201 537 1455 590">Connect the handset phone lines to either the RJ11 jack or terminals 4 (TIP) and 5 (RING). Note: For full line seize operation, see the installation instructions. <li data-bbox="201 600 1455 632">If used, connect a piezo sounder to terminals 10 (+) and 11 (-). <li data-bbox="201 642 1455 674">If used, connect a bell to terminals 11 (-) and 12 (+). <li data-bbox="201 684 1455 758">If using Powerline Carrier Devices, connect com/data/sync/ lines from the 1332X10 transformer to terminals 9, 13, and 14 respectively. Note: Install Powerline Carrier Devices according to their instructions. <li data-bbox="201 768 1455 800">Connect wires from the 1332/1332X10 (1332CN) AC Transformer to terminals 15 and 16.
3.	Make battery connections as follows: <ol style="list-style-type: none"> <li data-bbox="201 852 1455 884">Remove battery retainer and insert battery pack into back plate. <li data-bbox="201 894 1455 926">Install battery retainer, and connect battery connector to receptacle on terminal block PC board. <li data-bbox="201 936 1455 968">Carefully reconnect the ribbon cable to the front assembly PC board connector (properly aligning the red wire). <li data-bbox="201 978 1455 1031">After all wiring connections have been made, snap the front assembly to the back plate so it is held by the locking tabs. <li data-bbox="201 1041 1455 1115">Plug the transformer into a 24-hour, 110VAC unswitched outlet. Note: Rechargeable batteries may take up to 48-hours to fully charge. "LOW BAT" message should clear within four hours, or by entering Test Mode.



Step	Action
3.	<p data-bbox="228 155 1036 182">Enhanced Sequential Mode - Press *83, then follow the prompts as follows:</p> <p data-bbox="228 201 289 228">[R 01]</p> <p data-bbox="345 201 1417 281">a. Zone Number - Enter the first 2-digit zone number to be entered, then press [*]. Starting with this zone, the system will search for the first transmitter which has all of the following attributes pre-programmed in Zone Programming.</p> <ol data-bbox="394 300 1157 405" style="list-style-type: none"> 1) The correct input type selected in *56 (RF, UR, or BR programmed) 2) The correct loop number selected in *56 3) No serial number programmed 4) Zone type <p data-bbox="394 409 1365 483">Notes: 1. If the first zone number entered does <i>not</i> have one or more of the above attributes, the system will search its database for the first zone that does, and will display it at the ENROLL SERIAL NUMBER prompt (1b).</p> <p data-bbox="462 485 1333 533">2. Pressing 00 exits mode, upon which the prompt “83” blinks, indicating the mode is inactive. Press [*] + any field number to go to that field.</p> <p data-bbox="228 550 289 577">[R zz]</p> <p data-bbox="345 550 1409 606">b. Enroll Mode - If “L” is displayed, the serial number for this transmitter has already been entered, however, it may still be confirmed, viewed or deleted.</p> <ol data-bbox="394 621 1373 697" style="list-style-type: none"> 1) If the transmitter’s serial number has not been previously entered, enter the enroll serial number mode now by pressing “1”, or copy the last serial number that was entered by pressing “2”. <p data-bbox="228 714 289 741">[R LC]</p> <ol data-bbox="394 714 1443 770" style="list-style-type: none"> 2) If the transmitter’s serial number has been previously entered, it may be viewed by pressing “3” or deleted by pressing “9”. <p data-bbox="394 772 1443 821">Note: If view is selected; each digit will be re-displayed, and the keypad will beep once for digits 1-6, and three times for the last digit.</p> <ol data-bbox="394 835 1443 892" style="list-style-type: none"> 3) Once the serial number has been entered the system will return to the (1A) prompt and “L” will be displayed. <p data-bbox="394 894 1338 915">Note: This point can be faulted and restored and the panel will listen for the transmission.</p> <ol data-bbox="394 930 1443 1058" style="list-style-type: none"> 4) The serial number/loop number combination that was entered can be confirmed by faulting and restoring the zone being entered. If the panel receives a transmission that matches the serial number and loop number entered, the keypad will beep three times, and “C” will be displayed. This indicates that the serial number transmission has been confirmed to match. No further transmissions will be received. <p data-bbox="394 1060 1443 1163">Note: When confirming a 4-button key, it assumed that all loops are used and only the serial number is confirmed. Pressing any key will allow a confirm. Two beeps indicate that the template has been accepted. A single long beep indicates illegal entries, or duplicate serial number/loop entry.</p> <ol data-bbox="394 1178 1443 1234" style="list-style-type: none"> 5) When the last zone has been entered, the display will remain on that zone. To exit this mode and return to data field program mode, press 00 at the ZONE NUMBER prompt <ol data-bbox="394 1257 1398 1335" style="list-style-type: none"> 6) Once all zones have been programmed, test each zone using the system’s Test mode. Do not use the Transmitter ID Sniffer mode for this, since it will only check for transmission of one zone on a particular transmitter, and not the zones assigned to each additional loop. <p data-bbox="228 1352 289 1379">[b zz]</p> <p data-bbox="345 1352 1443 1436">c. Serial Number - This prompt can be used to enroll the transmitter serial number via RF transmission or manually. If using RF Learning proceed to step 1). If using the manual mode skip to step 2).</p> <ol data-bbox="394 1451 1443 1556" style="list-style-type: none"> 1) RF Learning - Two (2) transmissions will be required for BR type or four (4) transmissions (fault, restore and fault, restore) for UR or RF type. If the loop number captured by RF transmission and that entered in *56 mode match, the system will return to Prompt (1A) and “LC” will be displayed. No additional transmissions are needed for confirmation. <p data-bbox="394 1558 1443 1606">Note: BR type devices can be enrolled only by transmission from BR devices. Likewise, UR and RF devices can only be enrolled by transmission from a UR or RF device.</p> <p data-bbox="228 1623 289 1650">[b]</p> <ol data-bbox="394 1623 1443 1680" style="list-style-type: none"> 2) Manual Entry - Enter the 7-digit serial number printed on the transmitter. If you enter an incorrect digit, press the [#] key to backup to prompt (1A) and start over. <ol data-bbox="394 1694 1443 1822" style="list-style-type: none"> 3) Once all 7 digits have been entered, press the [*] key. If the serial and loop number combination is already present in the system, or if less than 7 digits are entered, the keypad will emit a single long beep and return to the (1A) prompt with displaying the “L”. If more than 7 digits have been entered, the first 6 digits will be saved along with the last digit that was entered (entering 123456789 yields the serial number 1234569). <p data-bbox="394 1824 1354 1852">Note: If 52 seconds passes and no entry has been made, the system returns to prompt (1A).</p> <p data-bbox="228 1869 289 1896">[F]</p> <p data-bbox="345 1869 1390 1896">d. Delete Serial Number - This prompt can be used to delete the serial number programmed for the zone.</p> <ol data-bbox="394 1911 920 1938" style="list-style-type: none"> 1) Enter “0” to discard delete request or “1” to confirm

Step	Action
4.	Set RF House ID in the wireless keypads as follows: <ul style="list-style-type: none"> a. 5827 wireless keypad - Set the keypad's DIP switches to the RF House ID programmed in field *24. b. 5804BD button key or 5827BD keypad - Set the RF House ID per its instructions. c. Powerline Carrier Devices - Set their House ID to "A," (programmed as "0") or use field *25 to change the ID to avoid conflicts with existing installations.
5.	Set the Real-Time Clock as follows: <ul style="list-style-type: none"> a. Enter time/date setting mode by entering the User Code + FUNCTION + [63]. b. The hour prompt is displayed. Enter the correct hour, then press [*] to accept and advance. c. For each subsequent prompt, enter the correct value, then press [*]. d. The system will exit this mode automatically after entering the year, or if no keys are pressed for 1 minute.
6.	Test the system as follows: <ul style="list-style-type: none"> a. After installation and programming, enter Installer Code + TEST. b. To exit Test mode, enter Installer Code + OFF.
7.	Assign desired User Codes by following the procedures on the next page and in the User Guide. Show the user how to perform the various system functions.
8.	Perform site-initiated downloader session (to load central station ID) by Installer Code + [#] + [1].

5800 Series Transmitter Loop Numbers: The following illustration shows the compatible transmitters and their associated input types and loop designations.



The 5800RL, 5802MN, 5802MN2, 5804, 5804BD, 5804BDV, 5814, 5816TEMP, 5819, 5819S(WHS & BRS), 5827BD, and 5850(GBD) transmitters are not intended for any UL installations.

Keypad Functions (when default programming is used)

Security Functions

Checking system status: **STATUS** (high level messages); press **STATUS** again for secondary messages.

To arm in STAY mode: Press and hold down **STAY** (or enter your code + **STAY**) See note below.

To restart exit delay: **STAY** (applies only if system is armed in Stay mode)

To arm in AWAY mode: Press and hold down **AWAY** (or enter your code + **AWAY**) See note below.

To arm with NO DELAY: Press and hold down **AWAY** or **STAY** + **NO DELAY** or enter your user code + the keys shown).

To disarm the system and silence alarms: User Code + **OFF** See note below.

To bypass a zone(s): User Code + **BYPASS** + 2-digit zone number(s)

To turn Chime mode on or off: **FUNCTION** + **CHIME**

Message Center

To record a message: **FUNCTION** + **RECORD**

To stop recording before end of 20 seconds: **OFF**

To play back a message: **FUNCTION** + **PLAY**

Volume Control

To adjust message playback/system announcement volume: **FUNCTION** + **VOLUME** + [3] (Up) or [6] (Down)

To mute system announcements: **FUNCTION** + **VOLUME** + **OFF**

To restore announcement sounding: **FUNCTION** + **VOLUME** + [3] or [6]

Other Functions

To set the time and date: User Code + **FUNCTION** + [63]

To activate or deactivate devices 1-6: **FUNCTION** + **LIGHTS ON** or **LIGHTS OFF** + device number

To activate or deactivate devices 7 & 8: User Code + **#** + **LIGHTS ON** or **LIGHTS OFF** + dev. no.

To program scheduled events: User Code + **FUNCTION** + [64], then follow procedure in User Manual.

To add a User Code: Master Code + **CODE** + user number + User's Code (see note below)

To delete a User Code (except Master Code): Master Code + **CODE** + user number

To turn Test mode on: User Code + **TEST**

To turn Test mode off: User Code + **OFF**

To use the defined AUX function: Press and hold **AUX** key 2 secs (4 beeps) + User Code

(To define the AUX function, refer to the procedure in the Aux Function section of the User Manual. Note: The 1-button paging feature [field *87] is not enabled with the default programming)

Note: The Babysitter Code and Installer Code cannot disarm the system unless it was the code used to arm the system. In addition, if the system is armed by pressing and holding the Quick-Arm buttons, neither the Babysitter Code nor the Installer Code can disarm the system.

REFER TO THE INSTALLATION AND SETUP GUIDE FOR THE LIMITATIONS OF THIS SYSTEM AND WARRANTY INFORMATION.

-NOTES-

ADEMCO
GROUP

165 Eileen Way, Syosset, New York 11791
Copyright © 2000



K5484 7/00